

Unique Patent Design

IT IS WIDELY USED IN UNDERGROUND PARKING LOT, METRO STATION, AIRPORT, HARBOR, FACTORY, UNDERGROUND TUNNEL, OUTDOOR PLAYGROUND, INDOOR STADIUM AND OTHER HUMID ENVIRONMENT ETC.



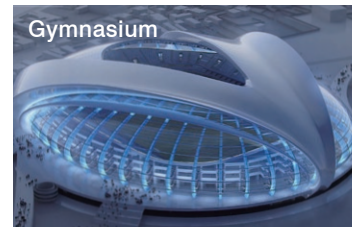
TRI-PROOF LIGHT

1. length: 4ft
2. PF > 0.9
3. THD < 20%
4. 50,000H
5. Input Voltage:
AC 120-277V 50/60Hz



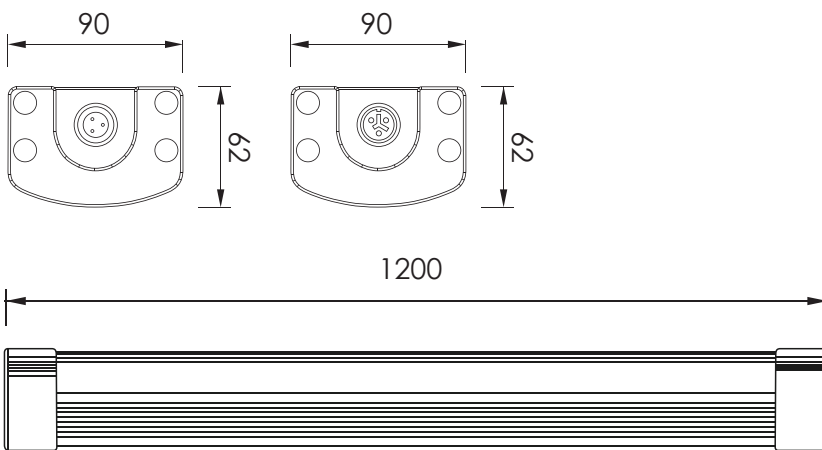

IP66 IK10

Lighting Case



Product line drawing

Size: (mm)



Light distribution curve

